



INSTALLATION AND OPERATION

USER MANUAL

WWW.UNICORECOMM.COM

UM982

GPS/BDS/GLONASS/Galileo/QZSS

All-constellation Multi-frequency

High Precision Positioning & Heading Module

Copyright© 2009-2023, Unicore Communications, Inc.
Data subject to change without notice.

Revision History

Version	Revision History	Date
R1.0	First release	2022-05-19
R1.1	Table 2-2: Update the description of V_BCKP pin; Chapter 3.4: Add requirement of V_BCKP; Chapter 1.3: Add the description of external interfaces; Add chapter 3.1: UM982 Minimal Design; Table 2-5: Update the IO threshold; 3.2 Antenna Feed Design: D1 and D4 should support high frequency signals (above 2000 MHz); Chapter 5.2: Update the description of the humidity indicator; Table 1-1: Update the heading accuracy (0.1°/1m baseline)	2022-09-09

Legal right notice

This manual provides information and details on the products of Unicore Communication, Inc. ("Unicore") referred to herein.

All rights, title and interest to this document and the information such as data, designs, layouts contained in this manual are fully reserved, including but not limited to the copyrights, patents, trademarks and other proprietary rights as relevant governing laws may grant, and such rights may evolve and be approved, registered or granted from the whole information aforesaid or any part(s) of it or any combination of those parts.

Unicore holds the trademarks of "和芯星通", "UNICORECOMM" and other trade name, trademark, icon, logo, brand name and/or service mark of Unicore products or their product serial referred to in this manual (collectively "Unicore Trademarks").

This manual or any part of it, shall not be deemed as, either expressly, implied, by estoppel or any other form, the granting or transferring of Unicore rights and/or interests (including but not limited to the aforementioned trademark rights), in whole or in part.

Disclaimer

The information contained in this manual is provided "as is" and is believed to be true and correct at the time of its publication or revision. This manual does not represent,

UM982 User Manual

and in any case, shall not be construed as a commitments or warranty on the part of Unicore with respect to the fitness for a particular purpose/use, the accuracy, reliability and correctness of the information contained herein.

Information, such as product specifications, descriptions, features and user guide in this manual, are subject to change by Unicore at any time without prior notice, which may not be completely consistent with such information of the specific product you purchase.

Should you purchase our product and encounter any inconsistency, please contact us or our local authorized distributor for the most up-to-date version of this manual along with any addenda or corrigenda.



Foreword

This document describes the information of the hardware, package, specification and the use of Unicore UM982 module.

Target Readers

This document applies to technicians who possess the expertise on GNSS receivers.

Contents

1	Introduction.....	1
1.1	Key Features.....	2
1.2	Key Specifications	2
1.3	Block Diagram.....	5
2	Hardware.....	6
2.1	Dimensions	6
2.2	Pin Definition.....	8
2.3	Electrical Specifications.....	11
2.3.1	Absolute Maximum Ratings.....	11
2.3.2	Operational Conditions.....	11
2.3.3	IO Threshold	12
2.3.4	Antenna Feature.....	12
3	Hardware Design	13
3.1	UM982 Minimal Design	13
3.2	Antenna Feed Design	14
3.3	Grounding and Heat Dissipation	15
3.4	Power-on and Power-off	15
4	Production Requirement.....	16
5	Packaging.....	17
5.1	Label Description.....	17
5.2	Product Packaging	17

1 Introduction

UM982 is a new generation of GNSS high precision positioning and heading module developed by Unicore Communications. It supports GPS/BDS/GLONASS/Galileo/QZSS, and can simultaneously track GPS L1/L2/L5, BDS B1I/B2I/B3I, GLONASS L1/L2, Galileo E1/E5a/E5b, and QZSS L1/L2/L5. The module is mainly used in UAVs, lawn mowers, precision agriculture, and intelligent driving. With the support of on-chip RTK positioning and dual-antenna heading solution, UM982 can be used as a rover or base station.

UM982 is based on NebulasIV™, a GNSS SoC which integrates RF, baseband and high precision algorithm. Besides, the SoC integrates a dual-core CPU, a high speed floating point processor and an RTK co-processor, with 22 nm low power design, and it supports 1408 super channels. All these above enable stronger signal processing capability.

UM982 allows a flexible configuration of multi-system joint positioning or single system standalone positioning. With the built-in advanced anti-jam unit, the module can achieve high accuracy even in the complex electromagnetic environment.

Furthermore, UM982 supports abundant interfaces such as UART, I²C*, SPI*, as well as 1PPS, EVENT, CAN*, which meets the customers' needs in different applications.



Figure 1-1 UM982 Module

* I²C, SPI, CAN: reserved interfaces, not supported currently

1.1 Key Features

- 16 mm × 21 mm × 2.6 mm, surface-mount device
- Supports all-constellation multi-frequency on-chip RTK positioning and dual-antenna heading solution
- Supports BDS B1I/B2I/B3I + GPS L1/L2/L5 + GLONASS L1/L2 + Galileo E1/E5a/E5b + QZSS L1/L2/L5 + SBAS
- Dual-RTK engine technology
- Adaptive recognition of RTCM input data format
- Dual antenna input
- Supports 3 × UART, 1 × I²C*, 1 × SPI* and 1 × CAN*

1.2 Key Specifications

Table 1-1 Technical Specifications

Basic Information	
Channels	1408 channels, based on NebulasIV™
Constellations	BDS/GPS/GLONASS/Galileo/QZSS
Master Antenna Frequencies	BDS: B1I, B2I, B3I GPS: L1 C/A, L2P (Y)/L2C, L5 GLONASS: L1, L2 Galileo: E1, E5a, E5b QZSS: L1, L2, L5
Slave Antenna Frequencies	BDS: B1I, B2I, B3I GPS: L1 C/A, L2C GLONASS: L1, L2 Galileo: E1, E5b QZSS: L1, L2
Power	
Voltage	+3.0 V ~ +3.6 V DC

* I²C, SPI, CAN: reserved interfaces, not supported currently

Power Consumption	600 mW ¹			
Performance²				
Positioning Accuracy	Single Point Positioning ³ (RMS)	Horizontal: 1.5 m		
		Vertical: 2.5 m		
	DGPS (RMS) ^{3,4}	Horizontal: 0.4 m + 1 ppm		
		Vertical: 0.8 m + 1 ppm		
	RTK (RMS) ^{3,4}	Horizontal: 0.8 cm + 1 ppm		
		Vertical: 1.5 cm + 1 ppm		
Observation Accuracy (RMS)	BDS	GPS	GLONASS	Galileo
B1I/L1 C/A/G1/E1 Pseudorange	10 cm	10 cm	10 cm	10 cm
B1I/L1 C/A/G1/E1 Carrier Phase	1 mm	1 mm	1 mm	1 mm
B3I/L2P(Y)/L2C/G2 Pseudorange	10 cm	10 cm	10 cm	10 cm
B3I/L2P(Y)/L2C/G2 Carrier Phase	1 mm	1 mm	1 mm	1 mm
B2I/L5/E5a/E5b Pseudorange	10 cm	10 cm	10 cm	10 cm
B2I/L5/E5a/E5b Carrier Phase	1 mm	1 mm	1 mm	1 mm
Heading Accuracy (RMS)	0.1°/1m baseline			
Time Accuracy (RMS)	20 ns			
Velocity Accuracy ⁵ (RMS)	0.03 m/s			
Time to First Fix ⁶ (TTFF)	Cold Start < 30 s			
Initialization Time ³	< 5 s (Typical)			

¹ Dual antenna 10 Hz PVT + 10 Hz RTK + 10 Hz Heading

² Performance specifications of the master antenna

³ Test results may be biased due to atmospheric conditions, baseline length, GNSS antenna type, multipath, number of visible satellites, and satellite geometry

⁴ The measurement uses a 1 km baseline and a receiver with good antenna performance, regardless of possible errors of antenna phase center offset

⁵ Open sky, unobstructed scene, 99% @ static

⁶ -130dBm @ more than 12 available satellites

UM982 User Manual

Initialization Reliability ³	> 99.9%
Data Update Rate	20 Hz Positioning & Heading 20 Hz Raw Data observation
Differential Data	RTCM 3.X
Data Format	NMEA-0183, Unicore
Physical Characteristics	
Package	48 pin LGA
Dimensions	21 mm × 16 mm × 2.6 mm
Weight	1.82 g ± 0.03 g
Environmental Specifications	
Operating Temperature	-40 °C ~ +85 °C
Storage Temperature	-55 °C ~ +95 °C
Humidity	95% No condensation
Vibration	GJB150.16A-2009, MIL-STD-810F
Shock	GJB150.18A-2009, MIL-STD-810F
Functional Ports	
UART × 3	
I ² C* × 1	
SPI* × 1	Slave
CAN* × 1	Shared with UART3

* I²C, SPI, CAN: reserved interfaces, not supported currently

1.3 Block Diagram

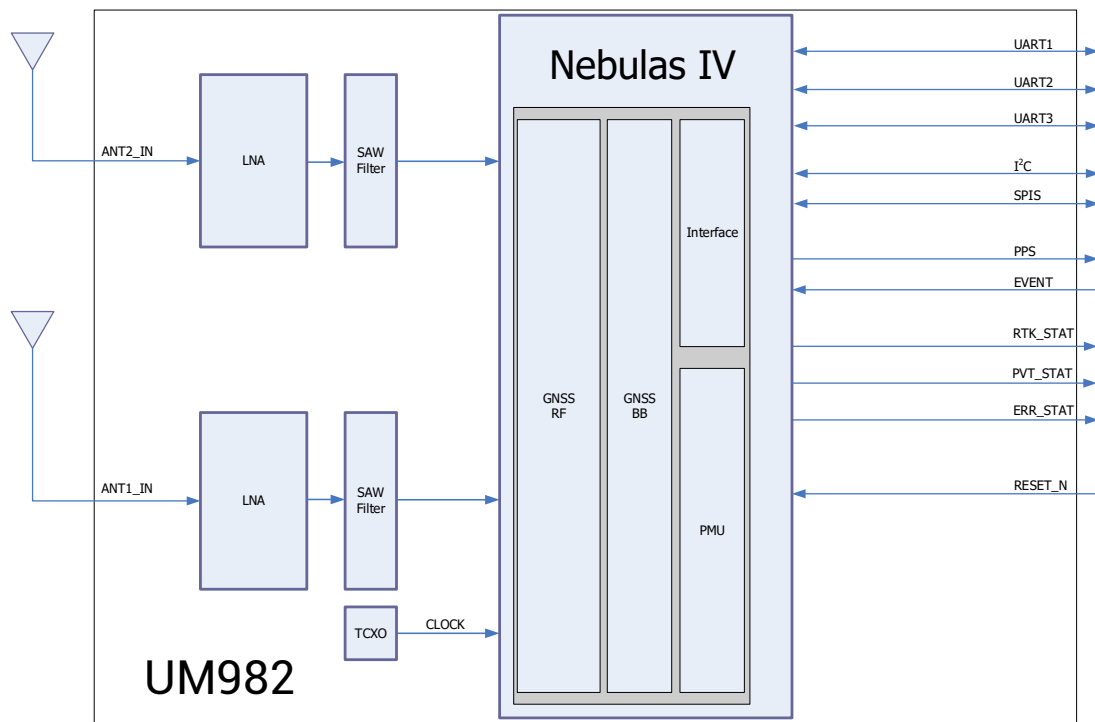


Figure 1-2 UM982 Block Diagram

- **RF Part**

The receiver gets filtered and enhanced GNSS signal from the antenna via a coaxial cable. The RF part converts the RF input signals into the IF signals, and converts IF analog signals into digital signals required for NebulasIV™ chip (UC9810).

- **NebulasIV™ SoC (UC9810)**

NebulasIV (UC9810) is UNICORECOMM's new generation high precision GNSS SoC with 22 nm low power design, supporting all constellations, multiple frequencies, and 1408 super channels. It integrates a dual-core CPU, a high speed floating point processor and an RTK co-processor, which can fulfill the high precision baseband processing and RTK positioning/heading independently.

- **External interfaces**

The external interfaces of UM982 include UART, I²C*, SPI*, CAN*, PPS, EVENT, RTK_STAT, PVT_STAT, ERR_STAT, RESET_N, etc.

* I²C, SPI, CAN: reserved interfaces, not supported currently

2 Hardware

2.1 Dimensions

Table 2-1 Dimensions

Parameter	Min. (mm)	Typ. (mm)	Max. (mm)
A	20.80	21.00	21.50
B	15.80	16.00	16.50
C	2.40	2.60	2.80
D	2.78	2.88	2.98
E	0.95	1.05	1.15
F	1.55	1.65	1.75
G	1.17	1.27	1.37
H	0.70	0.80	0.90
K	1.40	1.50	1.60
M	4.10	4.20	4.30
N	3.70	3.80	3.90
P	2.00	2.10	2.20
R	0.90	1.00	1.10
X	0.72	0.82	0.92

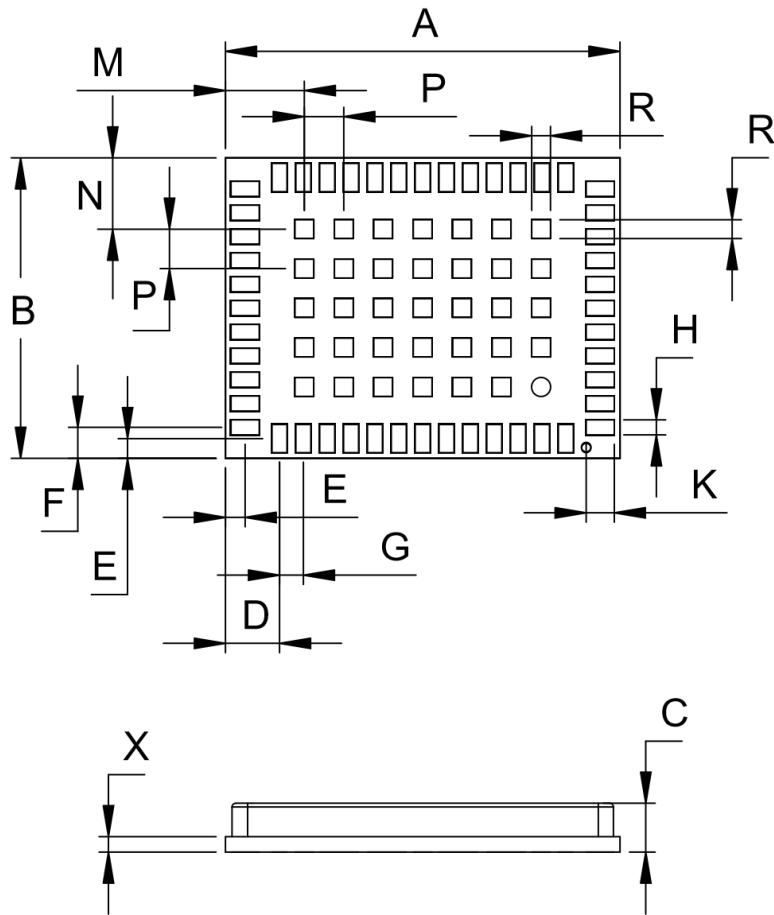


Figure 2-1 UM982 Mechanical Dimensions

2.2 Pin Definition

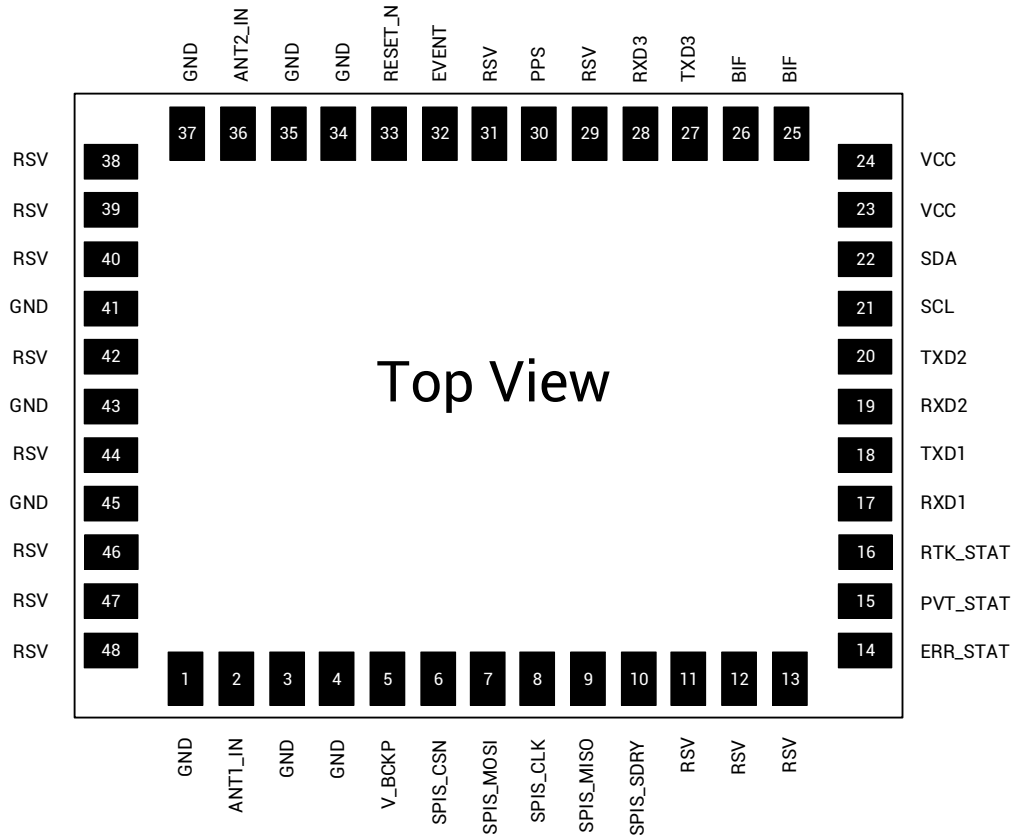


Figure 2-2 UM982 Pin Definition

Table 2-2 Pin Description

No.	Pin	I/O	Description
1	GND	—	Ground
2	ANT1_IN	I	GNSS master antenna signal input
3	GND	—	Ground
4	GND	—	Ground
5	V_BCKP	I	When the main power supply VCC is cut off, V_BCKP supplies power to RTC and relevant register. Level requirement: 2.0 V ~ 3.6 V, and the working current is less than 60 μA at 25 °C. If you do not use the hot start function, connect V_BCKP to VCC. Do NOT connect it to ground or leave it floating.

No.	Pin	I/O	Description
6	SPIS_CSN	I	Chip select input of SPI slave
7	SPIS_MOSI	I	Data input of SPI slave
8	SPIS_CLK	I	Clock input of SPI slave
9	SPIS_MISO	O	Data output of SPI slave
10	SPIS_SDRY	O	Interrupt output of SPI slave
11	RSV	–	Reserved, floating
12	RSV	–	Reserved, floating
13	RSV	–	Reserved, floating
14	ERR_STAT	O	Abnormal indicator: active high; outputs high when failing self-test, and low when passing
15	PVT_STAT	O	PVT positioning indicator: active high; outputs high when positioning and low when not positioning
16	RTK_STAT	O	RTK positioning indicator: active high; outputs high with RTK fixed solution, and low with other positioning status or no positioning
17	RXD1	I	COM1 input, LVTTTL level
18	TXD1	O	COM1 output, LVTTTL level
19	RXD2	I	COM2 input, LVTTTL level
20	TXD2	O	COM2 output, LVTTTL level
21	SCL	I/O	I ² C clock
22	SDA	I/O	I ² C data
23	VCC	POWER	Power supply (+3.3 V)
24	VCC	POWER	Power supply (+3.3 V)

No.	Pin	I/O	Description
25	BIF	–	Built-in function; recommended to add a through-hole testing point and a 10 kΩ pull-up resistor; cannot connect ground or power supply, cannot input/output data, and cannot be floating
26	BIF	–	Built-in function; recommended to add a through-hole testing point and a 10 kΩ pull-up resistor; cannot connect ground or power supply, cannot input/output data, and cannot be floating
27	TXD3	O	COM3 output, which can be used as CAN TXD, LVTTTL level
28	RXD3	I	COM3 input, which can be used as CAN RXD, LVTTTL level
29	RSV	–	Reserved, floating
30	PPS	O	Pulse per second, with adjustable pulse width and polarity
31	RSV	–	Reserved, floating
32	EVENT	I	Event mark input, with adjustable frequency and polarity
33	RESET_N	I	System reset, active low, and the active time should be no less than 5 ms.
34	GND	–	Ground
35	GND	–	Ground
36	ANT2_IN	I	GNSS slave antenna signal input
37	GND	–	Ground
38	RSV	–	Reserved, floating
39	RSV	–	Reserved, floating
40	RSV	–	Reserved, floating
41	GND	–	Ground
42	RSV	–	Reserved, floating

No.	Pin	I/O	Description
43	GND	–	Ground
44	RSV	–	Reserved, floating
45	GND	–	Ground
46	RSV	–	Reserved, floating
47	RSV	–	Reserved, floating
48	RSV	–	Reserved, floating

2.3 Electrical Specifications

2.3.1 Absolute Maximum Ratings

Table 2-3 Absolute Maximum Ratings

Parameter	Symbol	Min.	Max.	Unit
Power Supply Voltage	VCC	-0.3	3.6	V
Input Voltage	V _{in}	-0.3	3.6	V
Master/Slave Antenna Signal Input	ANT1_IN/ANT2_IN	-0.3	6	V
Master/Slave Antenna RF Input Power	ANT1_IN/ANT2_IN input power		+10	dBm
Storage Temperature	T _{stg}	-55	95	°C

2.3.2 Operational Conditions

Table 2-4 Operational Conditions

Parameter	Symbol	Min.	Typ.	Max.	Unit	Condition
Power Supply Voltage ⁷	VCC	3.0	3.3	3.6	V	
Maximum VCC Ripple	V _{rpp}	0		50	mV	

⁷ The voltage range of VCC (3.0 V ~ 3.6 V) has already included the ripple voltage.

Parameter	Symbol	Min.	Typ.	Max.	Unit	Condition
Working Current ⁸	I_{opr}		180	300	mA	VCC=3.3 V
Operating Temperature	T_{opr}	-40		85	°C	
Power Consumption	P		600		mW	

2.3.3 IO Threshold

Table 2-5 IO Threshold

Parameter	Symbol	Min.	Typ.	Max.	Unit	Condition
Low Level Input Voltage	V_{in_low}	0		0.6	V	
High Level Input Voltage	V_{in_high}	$VCC \times 0.7$		$VCC + 0.2$	V	
Low Level Output Voltage	V_{out_low}	0		0.45	V	$I_{out} = 2 \text{ mA}$
High Level Output Voltage	V_{out_high}	$VCC - 0.45$		VCC	V	$I_{out} = 2 \text{ mA}$

2.3.4 Antenna Feature

Table 2-6 Antenna Feature

Parameter	Symbol	Min.	Typ.	Max.	Unit	Condition
Optimum Input Gain	G_{ant}	18	30	36	dB	

⁸ Since the product has capacitors inside, inrush current occurs during power-on. You should evaluate in the actual environment in order to check the effect of the supply voltage drop caused by inrush current in the system.

3 Hardware Design

3.1 UM982 Minimal Design

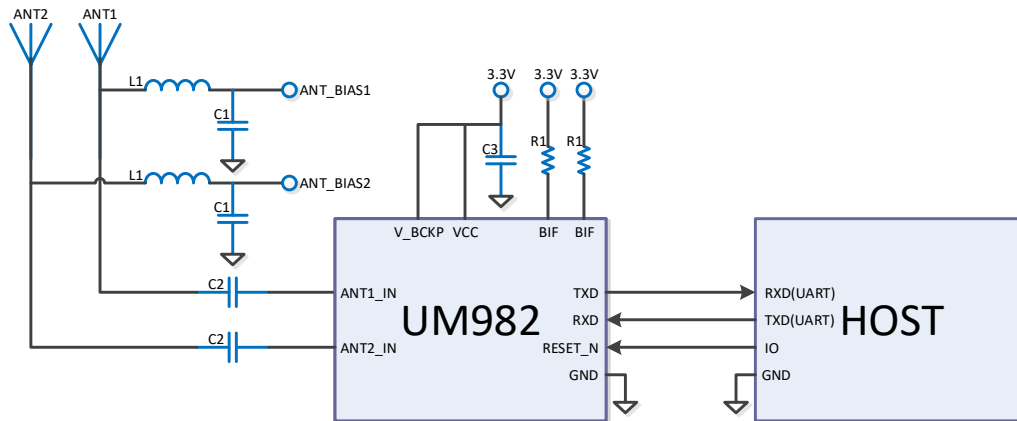


Figure 3-1 UM982 Minimal Design

L1: 68 nH RF inductor in 0603 package is recommended

C1: 100 nF + 100 pF capacitors connected in parallel is recommended

C2: 100 pF capacitor is recommended

C3: $N * 10 \mu\text{F} + 1 * 100 \text{ nF}$ capacitors connected in parallel is recommended, with the total inductance no less than $30 \mu\text{F}$

R1: 10 k Ω resistor is recommended

3.2 Antenna Feed Design

When feeding the antenna from the outside, you can use devices with high power and that can withstand high voltage. Gas discharge tube, varistor, TVS tube and other high-power protective devices may also be used in the power supply circuit to improve the protection.

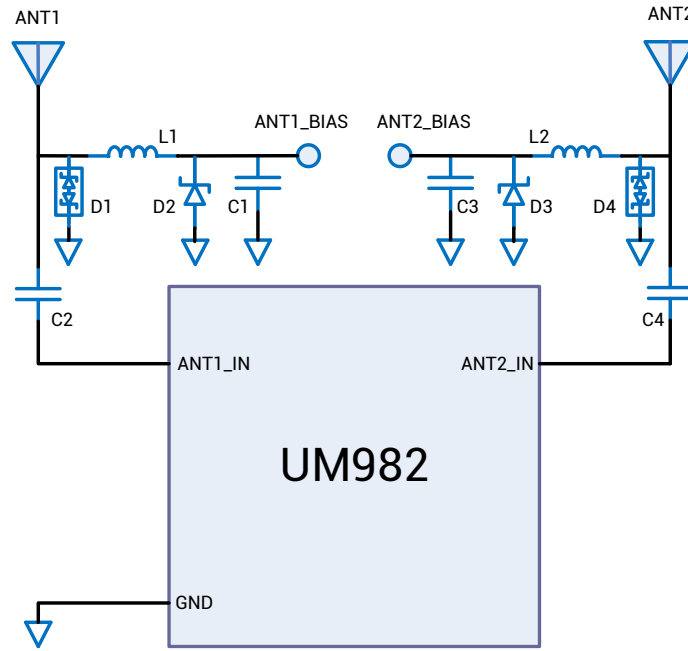


Figure 3-2 UM982 External Antenna Feed Reference Circuit

Notes:

- L1 and L2: feed inductor, 68 nH RF inductor in 0603 package is recommended
- C1 and C3: decoupling capacitor, recommended to connect two capacitors of 100 nF / 100 pF in parallel
- C2 and C4: DC blocking capacitor, recommended 100 pF capacitor
- D1 and D4: ESD diode, choose the ESD protection device that supports high frequency signals (above 2000 MHz)
- D2 and D3: TVS diode, choose the TVS diode with appropriate clamping specification according to the requirement of feed voltage and antenna voltage

3.3 Grounding and Heat Dissipation

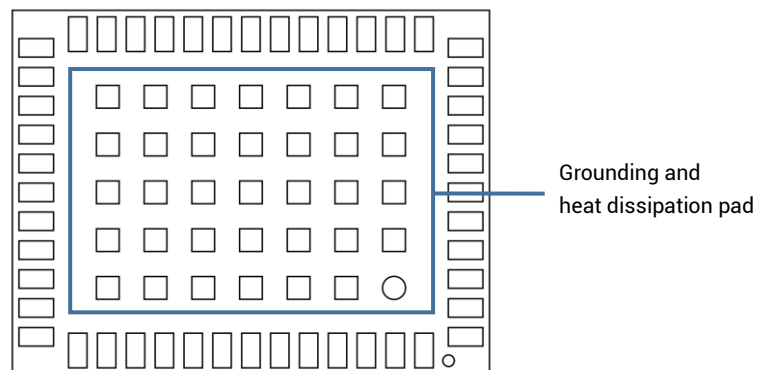


Figure 3-3 Grounding and Heat Dissipation Pad (Bottom View)

The 35 pads in the rectangle in Figure 3-3 are for grounding and heat dissipation. In the PCB design, the pads should be connected to a large sized ground to strengthen the heat dissipation.

3.4 Power-on and Power-off

VCC

The VCC initial level when power-on should be less than 0.4 V and has good monotonicity. The voltages of undershoot and ringing should be within 5% VCC.

VCC power-on waveform: The time interval from 10% rising to 90% must be within 100 us ~1 ms.

Power-on time interval: The time interval between the VCC < 0.4 V (after power-off) to the next power-on must be larger than 500 ms.

V_BCKP

The V_BCKP initial level when power-on should be less than 0.4 V and has good monotonicity. The voltages of undershoot and ringing should be within 5% V_BCKP.

V_BCKP power-on waveform: The time interval from 10% rising to 90% must be within 100 us ~1 ms.

Power-on time interval: The time interval between the V_BCKP < 0.4 V (after power-off) to the next power-on must be larger than 500 ms.

4 Production Requirement

Recommended soldering temperature curve is as follows:

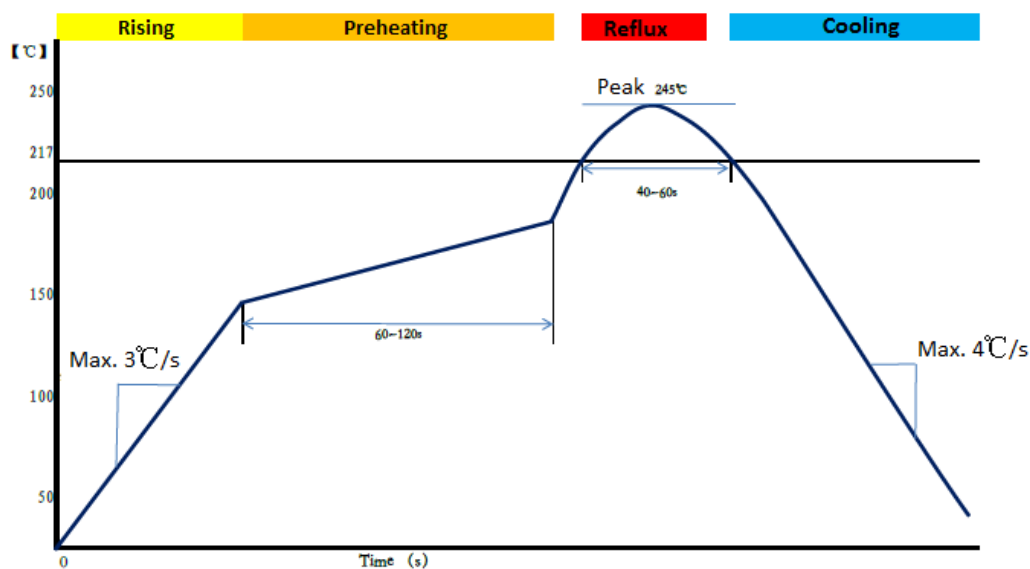


Figure 4-1 Soldering Temperature (Lead-free)

Temperature Rising Stage

- Rising slope: Max. 3 °C/s
- Rising temperature range: 50 °C ~ 150 °C

Preheating Stage

- Preheating time: 60s ~ 120 s
- Preheating temperature range: 150 °C ~ 180 °C

Reflux Stage

- Over melting temperature (217 °C) time: 40s ~ 60 s
- Peak temperature for soldering: no higher than 245 °C

Cooling Stage

- Cooling slope: Max. 4 °C / s



- In order to prevent falling off during soldering of the module, do not solder it on the back of the board during design, and it is not recommended to go through soldering cycle twice.
- The setting of soldering temperature depends on many factors of the factory, such as board type, solder paste type, solder paste thickness, etc. Please also refer to the relevant IPC standards and indicators of solder paste.
- Since the lead soldering temperature is relatively low, if using this method, please give priority to other components on the board.
- The opening of the stencil needs to meet your design requirement and comply with the examine standards. The thickness of the stencil is recommended to be larger than 0.18 mm.

5 Packaging

5.1 Label Description



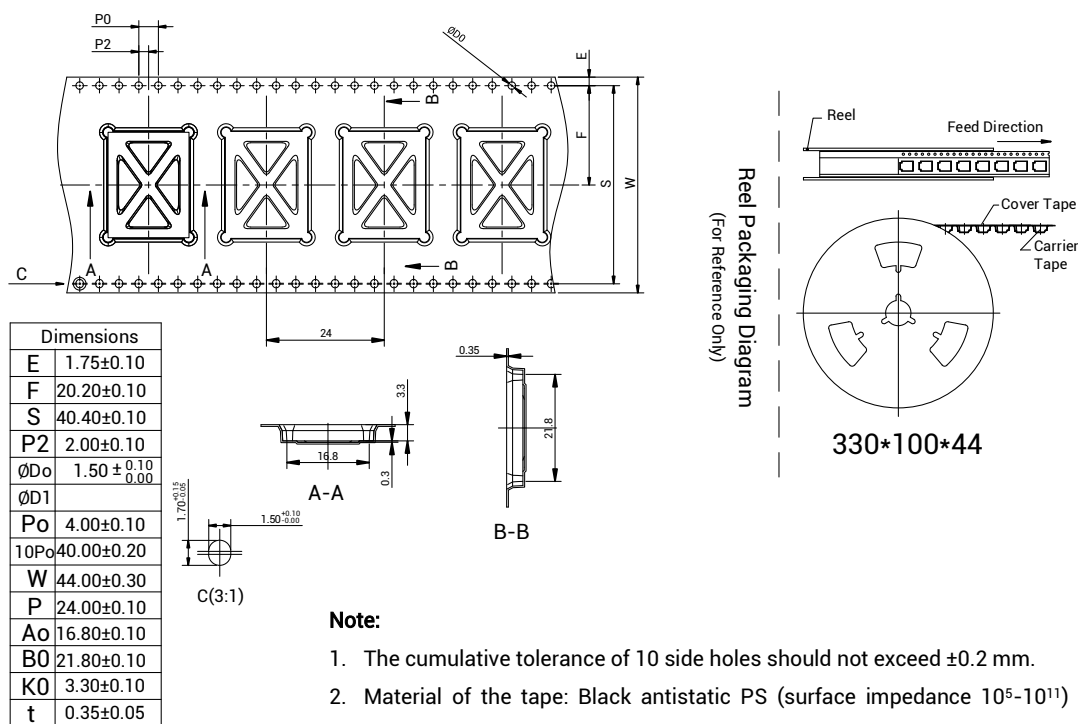
Figure 5-1 Label Description

5.2 Product Packaging

The UM982 module uses carrier tape and reel (suitable for mainstream surface mount devices), packaged in vacuum-sealed aluminum foil antistatic bags, with a desiccant inside to prevent moisture. When using reflow soldering process to solder modules, please strictly comply with IPC standard to conduct temperature and humidity control. As packaging materials such as the carrier tape can only withstand the temperature of 55 °C, modules shall be removed from the package during baking.



Figure 5-2 UM982 Package



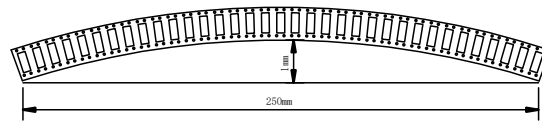


Figure 5-3 UM982 Reel Package Diagram

Table 5-1 Package Description

Item	Description
Module Number	250 pieces/reel
Reel Size	Tray: 13" External diameter: 330 ± 2 mm, Internal diameter: 180 ± 2mm, Width: 44.5 ± 0.5 mm Thickness: 2.0 ± 0.2 mm
Carrier Tape	Space between (center-to-center distance): 24 mm

Before surface mounting, make sure that the color of the 30% circle on the HUMIDITY INDICATOR is blue (see Figure 5-4). If the color of the 20% circle is pink and the color of the 30% circle is lavender (see Figure 5-5), you must bake the module until it turns to blue.

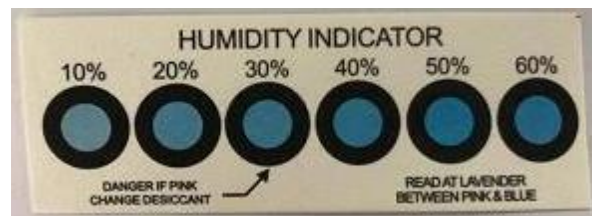


Figure 5-4 Normal Humidity Indication

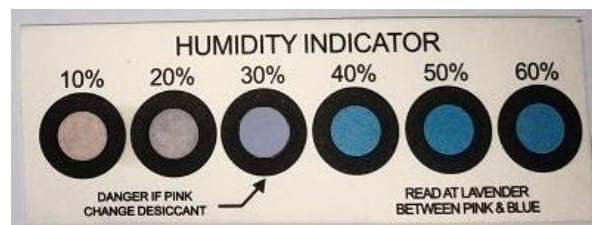


Figure 5-5 Abnormal Humidity Indication

The UM982 is rated at MSL level 3. Refer to the relevant IPC/JEDEC J-STD-033 standards for the package and operation requirements. You may access to the website www.jedec.org to get more information.

UM982 User Manual

The shelf life of the UM982 module packaged in vacuum-sealed aluminum foil antistatic bags is one year.

和芯星通科技（北京）有限公司

Unicore Communications, Inc.

北京市海淀区丰贤东路 7 号北斗星通大厦三层
F3, No.7, Fengxian East Road, Haidian, Beijing, P.R.China,
100094

www.unicorecomm.com

Phone: 86-10-69939800

Fax: 86-10-69939888

info@unicorecomm.com



www.unicorecomm.com